



# NAMUR Mount Hygienic Valve

***For Wash Down Applications***



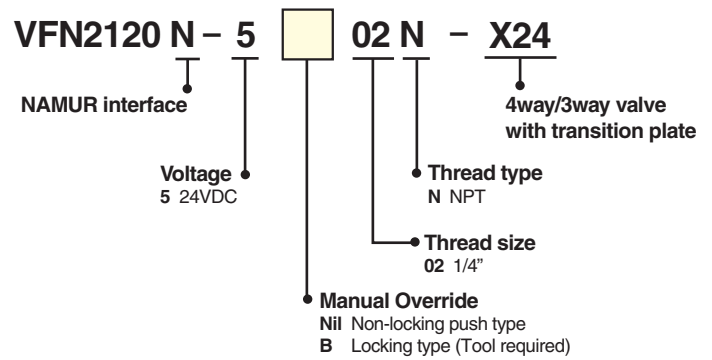
**Series VFN**

## Features

- Engineered Plastic PPS Body (Polyphenylene Sulfide) provides high temperature and chemical/corrosion resistance for use in wash down applications
- An EPDM duckbill exhaust protector check valve allow exhaust air to escape and prevents wash down particles entering into the valve body
- Low power consumption of 0.5 watt for compatibility with AS-i Bus system
- 12mm stainless steel connector for water proof sealing
- Pilot exhaust ported through exhaust ports to prevent water intrusion
- Captive stainless steel mounting screw, allows easy maintenance
- Suitable for use in steam environment
- RoHS compliant
- Locking manual override provides ease of equipment commissioning.
- Fitted with stainless steel thread inserts

Specifications	
Fluid	Air or inert gas
Working pressure range	21.8psi to 130psi (0.15 to 0.9 MPa)
Ambient & Fluid Temperature	14°F to 140°F (-10°C to +60°C)
Lubrication	Not required
Pilot operator manual override	Non-locking push type (Standard) Locking type (optional)
Enclosure	IP67
Port size	1/4" NPT
Cv factor	1.4
Other	Actuator port should be NAMUR port pattern
Rated voltage	24VDC (110VAC available upon request)
Allowable voltage range	-15% to 10% of rated voltage
Coil insulation	Class B
Power consumption	0.5W

## How to Order



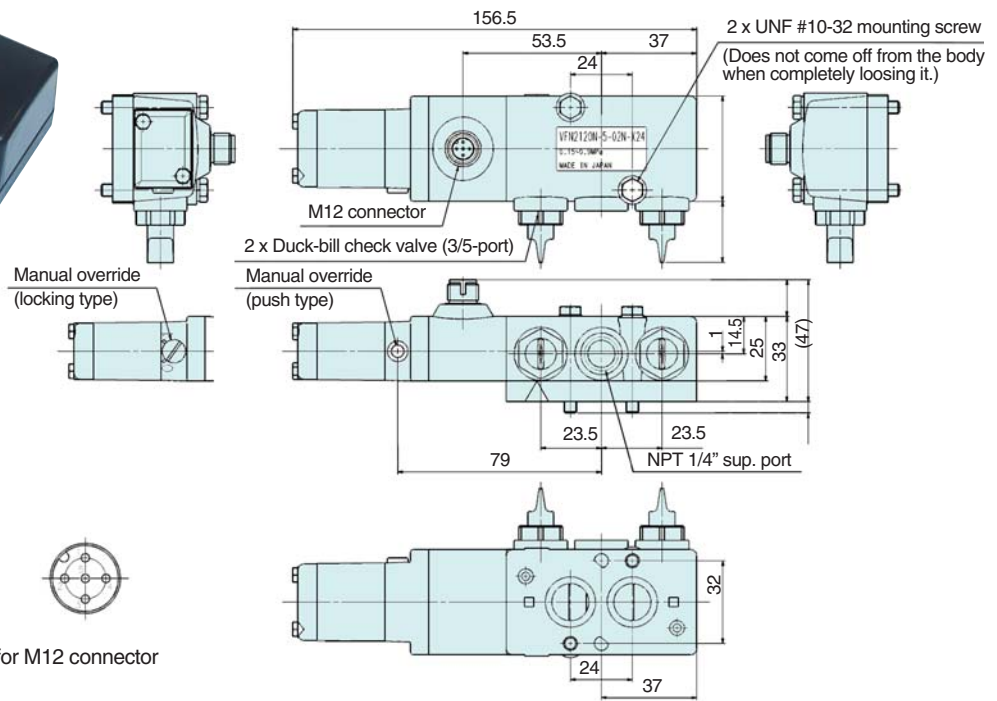
Non-locking push type



Locking type



## Dimensions



- Pin no.  
 1: Not used  
 2: Not used  
 3: Com. (-)  
 4: 14 side sol. (+)  
 5: Not used



Pin No. assignment for M12 connector



SMC Corporation of America  
 3011 N. Franklin Road, Indianapolis IN 46226  
[www.smcusa.com](http://www.smcusa.com)

SMC Pneumatics (Canada) Ltd.  
 6768 Financial Drive Mississauga, Ontario L5N 7J6 Canada  
[www.smc Pneumatics.ca](http://www.smc Pneumatics.ca)

**1-800-762-7621 (1-800-SMC-SMC1)**